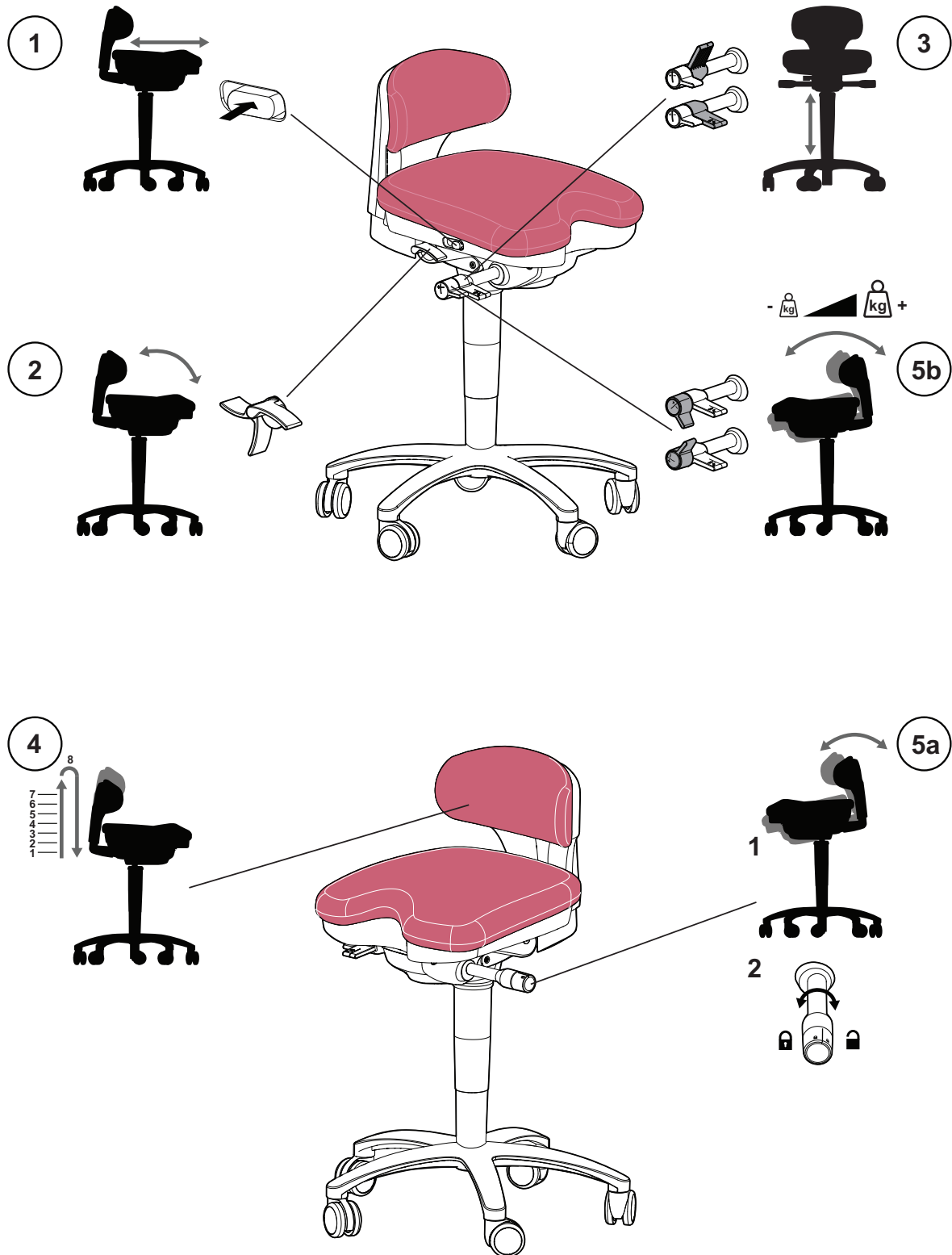
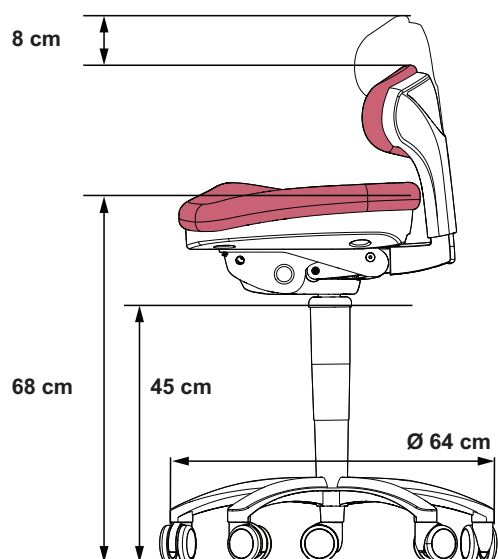


PLANMECA LUMO DENTAL STOOL

User's guide



1. Seat depth	Press the button on the side of the stool and simultaneously slide the seat forwards or backwards to select the required depth.
2. Seat angle	The seat angle can be selected from three positions. When the lever is pointing forward, the rear part of the seat is in its lowest position. Push the lever down to slightly raise the rear part of the seat. Push the lever so that it is pointing backward to raise the rear part of the seat to its highest position.
3. Seat height	Lift the lever and adjust the seat to the required height. Release the lever to lock into position.
4. Backrest height	Lift the backrest upward to adjust its height so that the backrest comfortably supports your lower back. When you lift the backrest, it moves upward in seven consecutive steps, after which you can push the backrest back down.
5a. Dynamic stool movement	Lean against the backrest and turn the knob toward unlock . The backrest and seat now move dynamically following your body movements. Turn the knob toward lock to lock the seat to its position.
5b. Adjust suspension	When you have unlocked the seat movement (see 5a), you can adjust the suspension of the seat. Turn the knob toward + (plus) to increase the suspension and toward - (minus) to decrease the suspension.



Lowest seat height	45 cm (17.7") (from floor to underside of stool)
Highest seat height	68 cm (26.8") (from floor to underside of stool)
Range of adjustment of seat height	23 cm (9.1")
Seat depth	42 cm (16.5")
Seat width	41 cm (16.1")
Range of backrest adjustment	8 cm in 7 steps
Distance from backrest to seat (range)	0 - 7 cm (0 - 2.8")
Backrest and seat angle adjustment range	
Backrest inclination	70° - 90° in steps of 5° from the vertical
Seat inclination	0° - 5° in steps of 2.5° from the horizontal
Weight	15 kg
Free rotating caster wheels	∅ 6.5 cm (2.6")
Stool base	∅ 64 cm (25.2")

Cleaning

A mild soap and water solution can be used to wipe off stains and spills from the upholstery. Let the upholstery air dry.

For disinfecting the upholstery, we recommend Dürr FD 312 or a similar product.

Wipe all other parts clean periodically with Dürr FD 333 / FD 322.

Maintenance

If the dental stool is in need of maintenance, contact your local Planmeca dealer.